

PXI530x Bit-Pattern Receiver Family



TECHNICAL DATA SHEET

PXI

Features

VXI

- Based on VX Instruments FlexCPP for easy custom design
- Up to 2 independent modules with 4 simultaneously working channels
- Up to 6.6 MS/s with 7 Bit pattern width

LAN

cPCI

PXIe

GPIB

USB

RS232
485

external
PCIe

- High configurable trigger engine
- Multiple instrument and channel synchronization possibilities
- Independent sample clock input for every channel

Product Information

Flexible configurable PXI Platform

The family of bit-pattern receivers is based on the "Flexible configurable PXI Platform" (FlexCPP). This platform features a variety of customer configurable bit-pattern receivers.

Bit-pattern receiver

The PXI530x Bit-Pattern Receiver family features up to 8 simultaneously working channels divided into 2 modules with 4 channels. Every channel provides a 8Bit TTL digital input. Each module is equipped with an on-board memory where the acquired bit-pattern from its 4 channels is stored.

Sample clock

The sample clock of every PXI530x receiver channel is derived from its input port signal Px.7. In addition with a post divider for an integer division of the clock source signal the user gets a high flexibility in data acquisition.

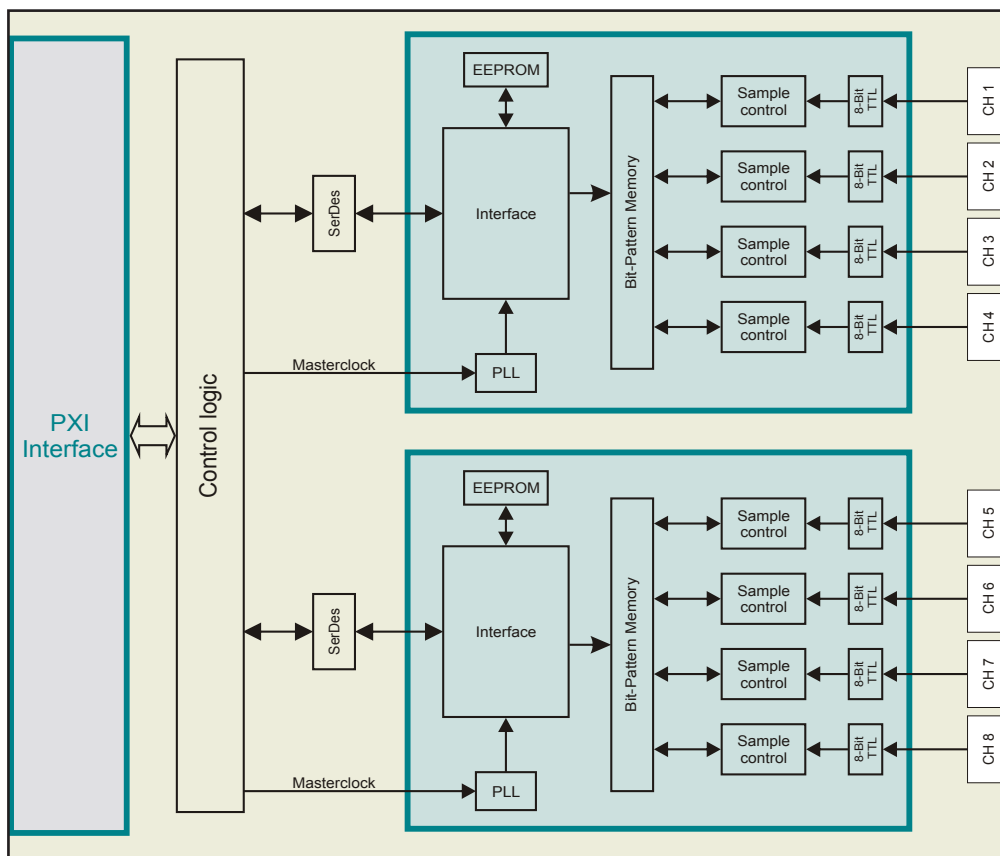
Digital input

Every channel of the PXI530x Bit-Pattern Receiver is equipped with an 8Bit digital bus driver. So digital inputs compliant to TTL standard are provided to the user. All digital input ports are referenced to a common ground.

User specific daughter board

The PXI530x Bit-Pattern Receiver devices feature a connector interface to a user specific daughter board. For fixture of the board various mounting studs are available. So the whole placement area of the right adjacent slot within a PXI chassis is provided to the user.

In addition to the digital inputs the connector interface contains two supply voltages (+3.3V and +12V) with their according common ground. This features the user a solid base for his circuit design.



General	Specification	Comment
Module size	1 slot, 3U	
Module weight	<0.7 kg	
Operating temperature	0 ... 40°C	
Operating altitude	<2,000 m	
Relative humidity	Up to 85% at 35°C	
Storage temperature range	-25 ... 70°C	
Electrical safety	According EN61010-1	

Bit-Pattern	Specification	Comment
Width	8 Bit	
Memory	2 MB, 2 MS	For one module (4 channels)

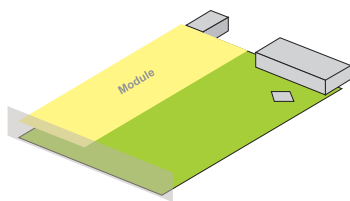
Connector Interface	Specification	Comment
Power supply		
+12 V	<200 mA	
+3.3 V	<400 mA	
Digital input	TTL	

Time Base	Specification	Comment
Accuracy	50 ppm	In operating temperature range
Aging per year	5 ppm	
Sampling frequency	<6.6 MS/s	

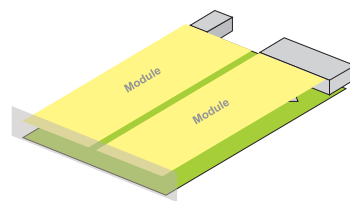
Trigger System	Specification	Comment
Input from		
Software	Via software command	
PXI trigger	Trigger 0 ... 7 and star trigger	From the PXI backplane
Output to		
PXI trigger	Trigger 0 ... 7	To the PXI backplane

PXI Capabilities	Specification	Comment
PXI trigger usage	Supported	PXI trigger 0 ... 7; input and output
PXI star trigger usage	Supported	Input only

Notes: All product data are specified for 1 year at an ambient temperature of 23°C ±5°C (after 1 hour warm-up time). Product specification and description in this document are subject to change without notice.



PXI5304
4 channel Bit-Pattern Receiver



PXI5308
8 channel Bit-Pattern Receiver

